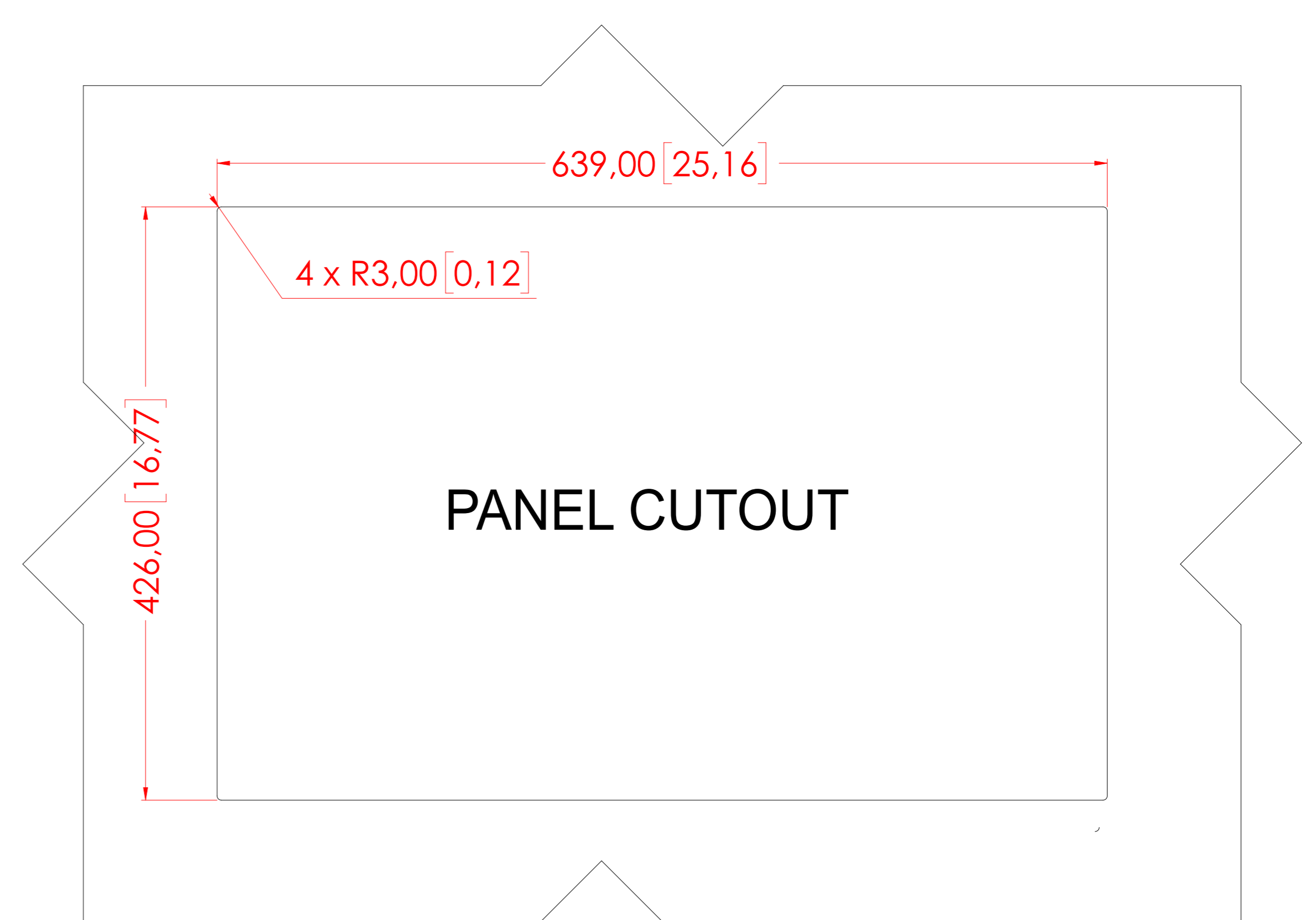
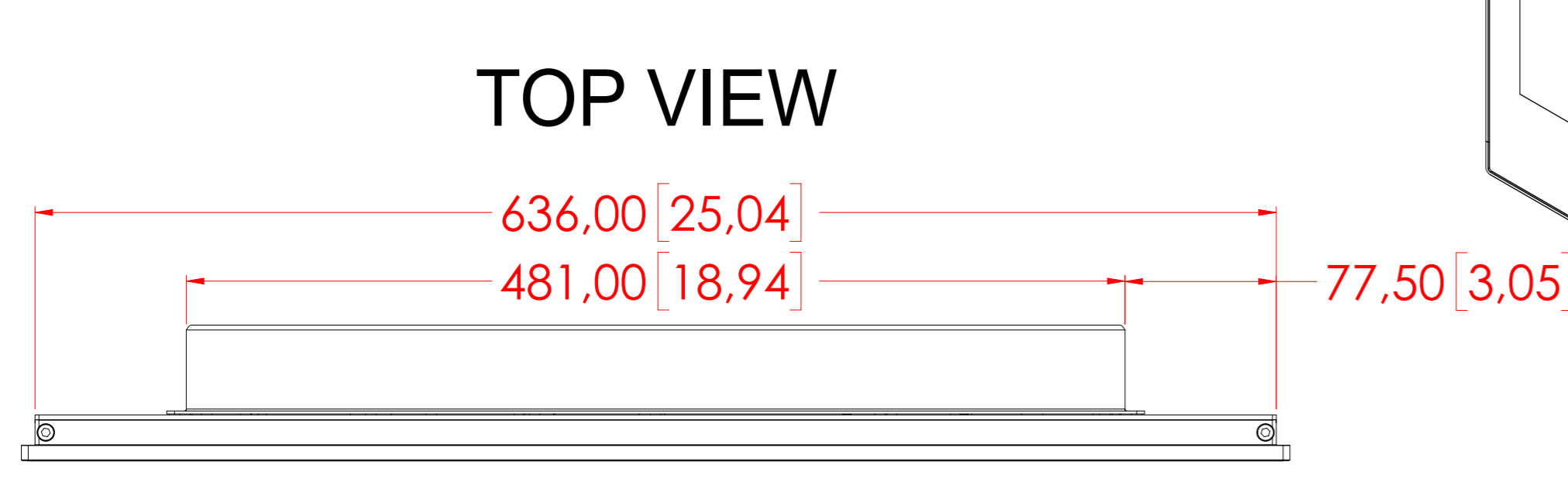
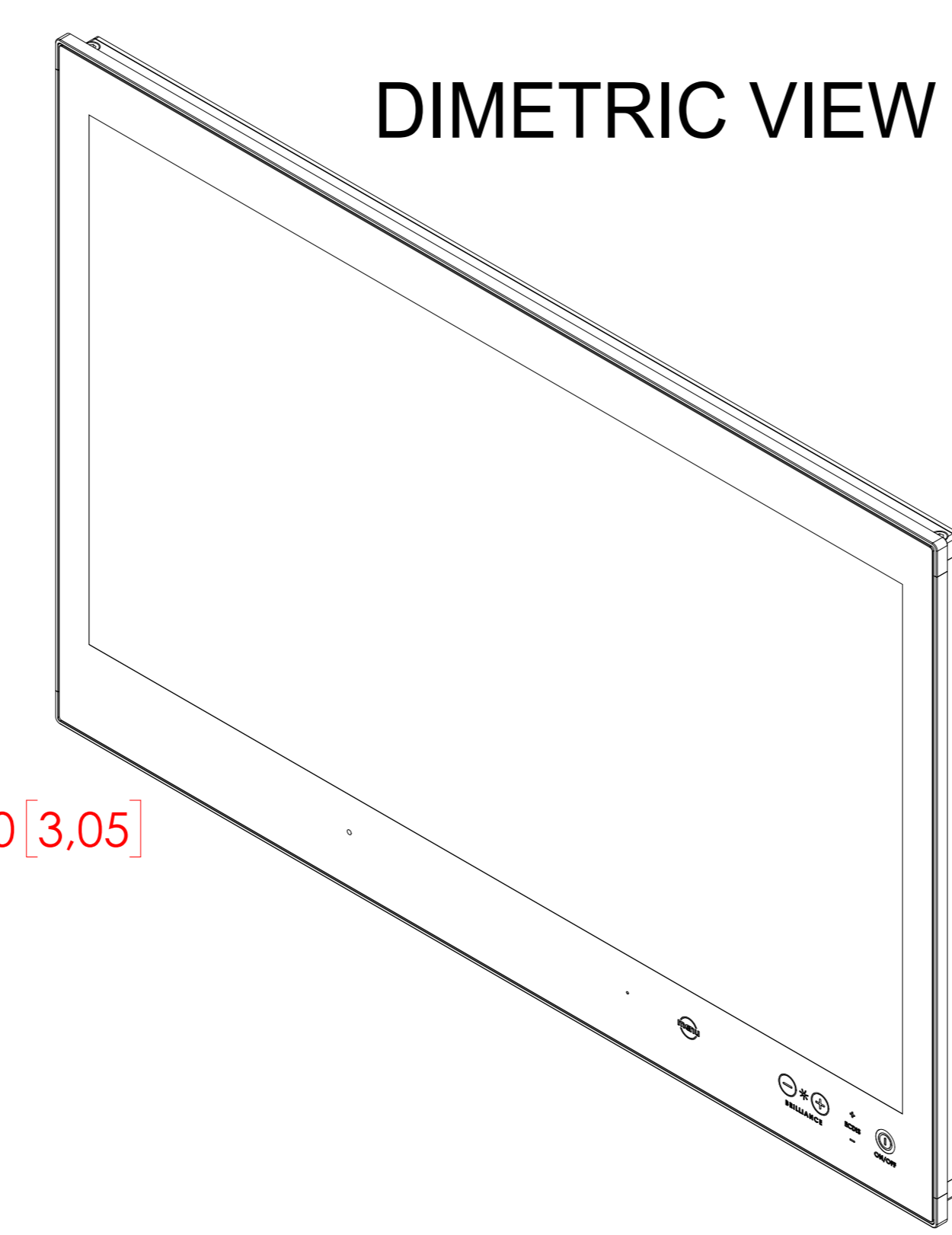
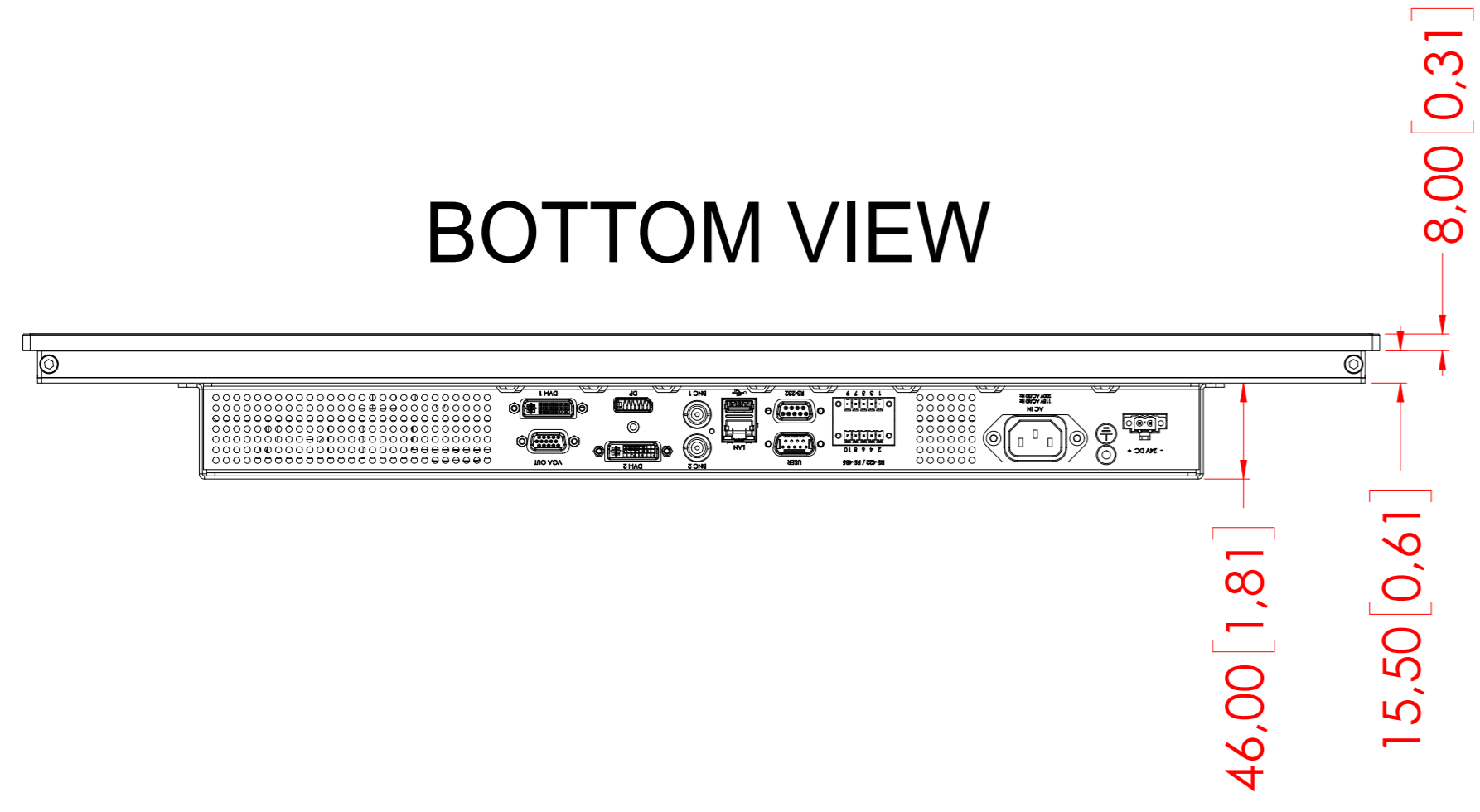
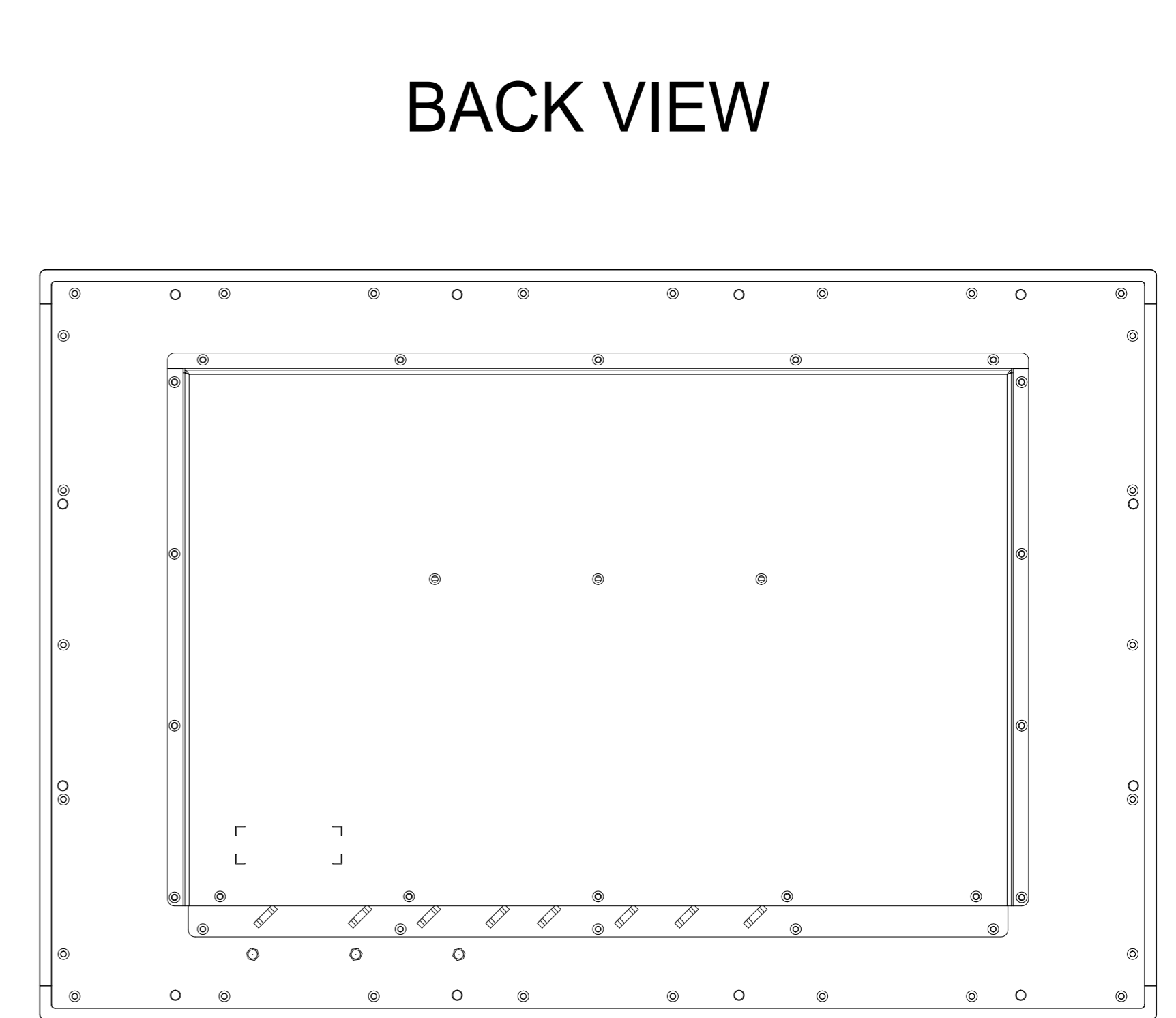
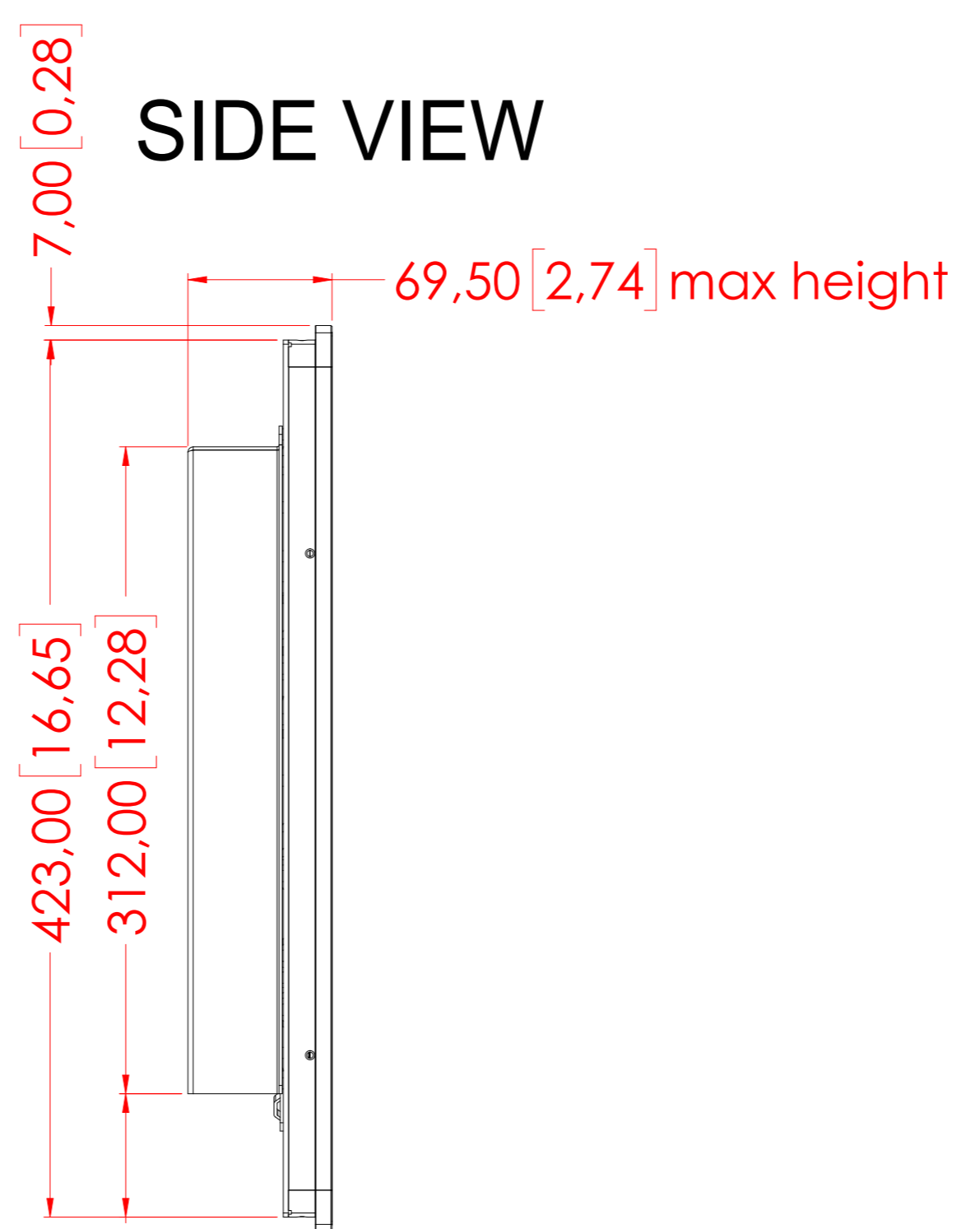
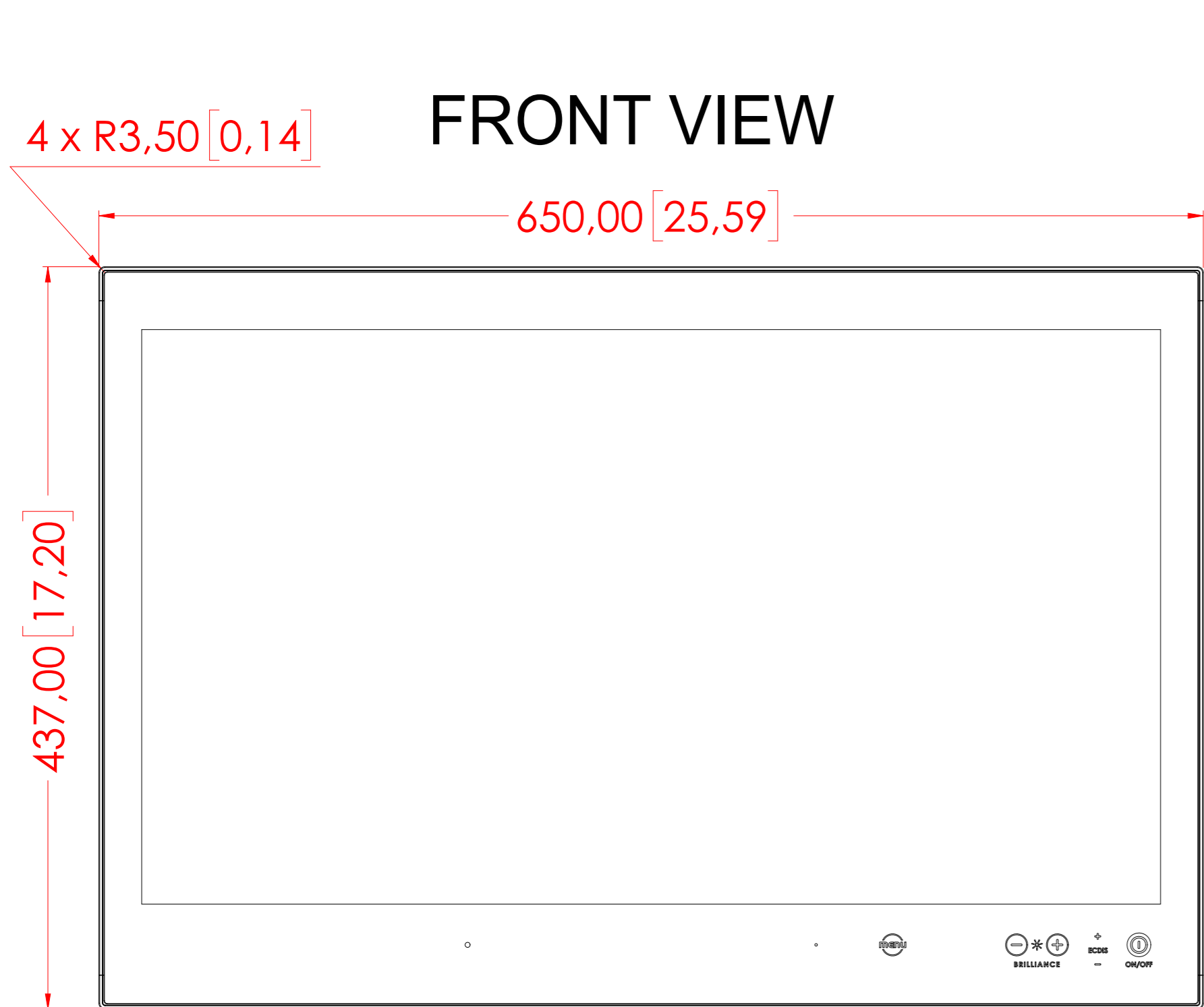


This document is the property of Hatteland Technology AS.
 This document and any authorized reproduction thereof, must not be used in
 any way against the interest of Hatteland Technology AS.
 Any authorized reproduction, in whole or in part, must include this legend.



Units: mm [inches]

SALES DRAWING HD 27T22 MMD-MA1-FAGA
 shown in this drawing, but measurements generally apply for all HD 27T22 MMD-Mxx-xxxx models

| | | | | |
|--------------------------------------------------------------|----------------------|-------------|--------------------|--------------------------------------------------|
| Date: | Mechanical Designer: | Projection: | A1 | HATTELAND TECHNOLOGY an EMBRON Company |
| 22.06.16 | 7258 | | Scale: 1:3 | Approved by: |
| Hatteland Technology AS Eikeskogvegen 52 N-5570 Akedal | | | Colour code: | Revision: |
| | | | Surface treatment: | Drawing number: A010190 |